



UTILITY CONTACT LIST

UTILITY OWNER	UTILITY	CONTACT PERSON(S)	PHONE NUMBER
ROGERS MESA DOMESTIC NETWORK	WATER	CASSANDRA SHENK	970-208-7716
DELTA-MONTROSE ELECTRIC ASSOCIATION (DMEA)	ELECTRIC	DEWAYNE EILER	970-240-1296
SOURCE GAS	GAS	TODD SCHWEIZER - FIELD COORDINATOR	970-874-4432 X226 970-596-1925 (CELL)
TDS COMMUNICATIONS	FIBER/PHONE	BILL LONG - HOTCHKISS GENERAL MANAGER	970-872-2122

UTILITY GENERAL NOTES

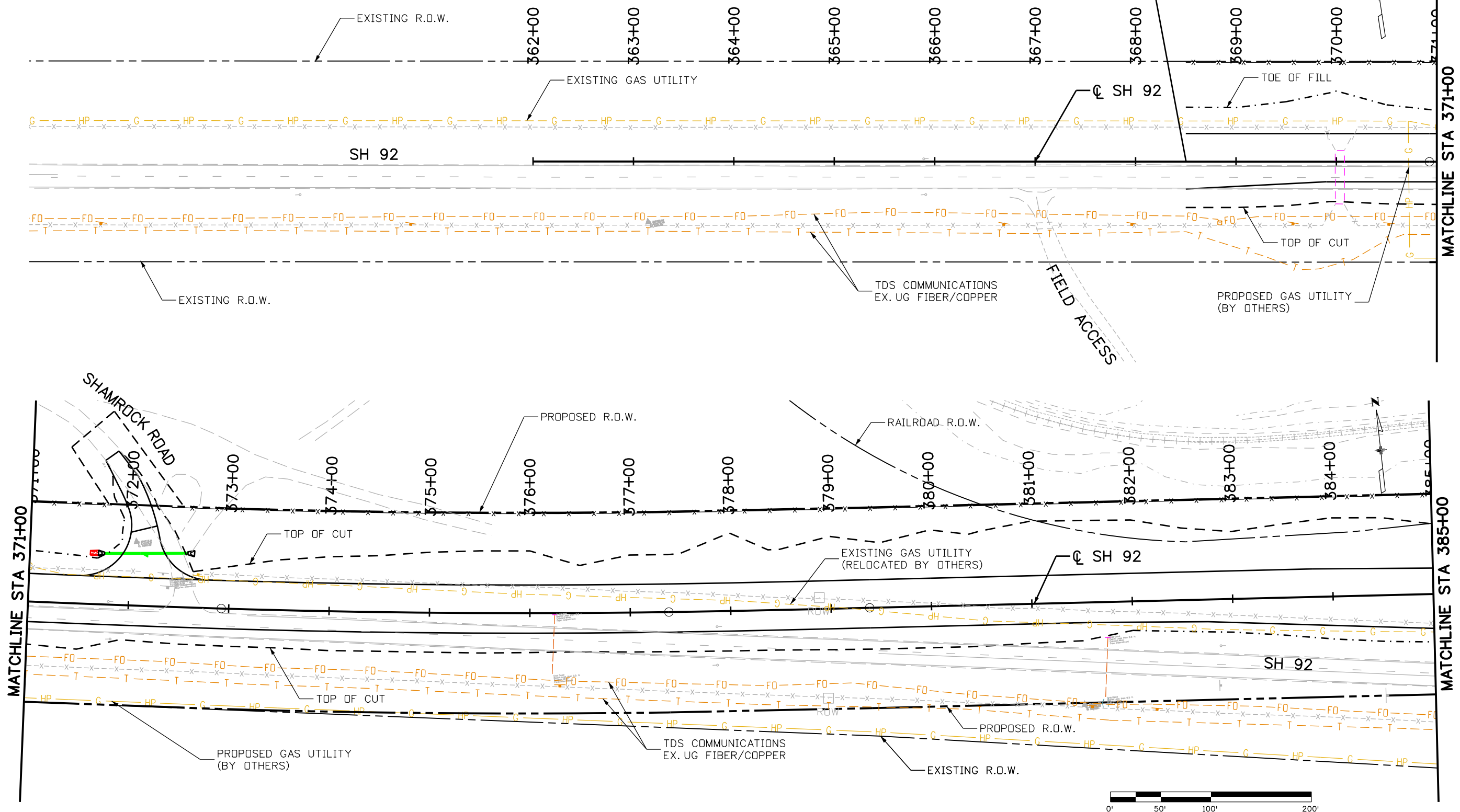
- EXISTING UTILITY LINES AS SHOWN ON THE PLAN SHEETS ARE PLOTTED FROM THE BEST AVAILABLE INFORMATION. (ACSE STANDARD QUALITY LEVEL B) PROPOSED GAS AND COMMUNICATION UTILITY WORK SHOWN ON THE PLANS IS FOR INFORMATION ONLY AND IS NOT PART OF THIS CONTRACT. UTILITY RELOCATION WORK WILL BE PERFORMED BY EACH RESPECTIVE UTILITY OWNER OR THEIR AGENTS.
- UTILITY WORK NOT COMPLETED PRIOR TO THE START OF THE CONTRACTOR'S OPERATIONS WILL REQUIRE COORDINATION WITH CONTRACT WORK IN ACCORDANCE WITH SUBSECTION 105.11 OF THE STANDARD SPECIFICATIONS. THE CONTRACTOR SHALL COORDINATE AND COOPERATE WITH UTILITY OWNERS IN THEIR REMOVAL, ADJUSTMENT AND/OR RELOCATION OPERATIONS SO THAT THE UTILITY WORK CAN BE ACCOMPLISHED WITHOUT IMPACTING THE CONSTRUCTION SCHEDULE.
- THE CONTRACTOR SHALL COMPLY WITH ARTICLE 1.5 OF TITLE 9, CRS ("EXCAVATION REQUIREMENTS") WHEN EXCAVATING OR GRADING IS PLANNED IN THE AREA OF UNDERGROUND UTILITY FACILITIES. THE CONTRACTOR SHALL NOTIFY ALL AFFECTED UTILITIES AT LEAST THREE (3) BUSINESS DAYS, NOT INCLUDING THE ACTUAL DAY OF NOTICE, PRIOR TO COMMENCING SUCH OPERATIONS. THE CONTRACTOR SHALL CONTACT THE UTILITY NOTIFICATION CENTER OF COLORADO (UNCC) AT 1-800-922-1987, TO HAVE LOCATIONS OF UNCC REGISTERED LINES MARKED BY MEMBER COMPANIES. ALL OTHER UNDERGROUND FACILITIES SHALL BE LOCATED BY CONTACTING THE RESPECTIVE OWNER. FOR CDOT OWNED UTILITY FACILITIES THE CONTRACTOR SHALL CALL THE NUMBER(S) LISTED IN THE UTILITY SPECIAL PROVISION. CDOT IS NOT CONTACTED WHEN LOCATES ARE REQUESTED THROUGH THE UNCC. UTILITY SERVICE LATERALS SHALL ALSO BE LOCATED PRIOR TO BEGINNING EXCAVATION OR GRADING.
- LOCATION AND NOTIFICATION OF BOTH UNCC MEMBER AND NON-MEMBER UTILITIES IS THE CONTRACTOR'S RESPONSIBILITY.
- IT IS SUGGESTED THAT THE CONTRACTOR INITIATE A REQUEST TO DELTA-MONTROSE ELECTRIC ASSOCIATION AND TDS COMMUNICATIONS FOR ANY CONSTRUCTION RELATED TEMPORARY ELECTRICAL POWER AND TELEPHONE SERVICE AS SOON AS POSSIBLE.
- THE CONTRACTOR SHALL BE RESPONSIBLE FOR VERIFYING THE LOCATION AND DEPTH OF ALL EXISTING UTILITIES AT PIPES, CULVERTS, CONCRETE BOX CULVERTS AND OTHER AREAS OF EXCAVATION AS NECESSARY TO INSURE THE UTILITIES WILL NOT BE IMPACTED. IT IS ESTIMATED THAT 20 HOURS OF POTHOLING WILL BE REQUIRED ON THIS PROJECT AS DIRECTED BY THE PROJECT ENGINEER.
- THE CONTRACTOR SHALL CONDUCT WEEKLY UTILITY MEETINGS, SEPARATE FROM THE PROGRESS MEETINGS, FOR THE PURPOSE OF COORDINATING CONSTRUCTION ACTIVITIES WITH THE UTILITY OWNERS. FREQUENCY OF THE UTILITY MEETINGS MAY BE REVISED WITH THE PRIOR WRITTEN CONSENT OF THE PROJECT ENGINEER. THE CONTRACTOR SHALL PROVIDE MEETING MINUTES AND SHALL PROVIDE, AND PERIODICALLY UPDATE, AND ACCURATE CONSTRUCTION SCHEDULE THAT INCLUDES IDENTIFICATION OF CRITICAL UTILITY IMPACTS THAT COULD IMPACT THE SCHEDULE.
- THE CONTRACTOR SHALL PROVIDE AT LEAST ONE WEEK NOTICE TO THE APPROPRIATE UTILITY OWNERS FOR ATTENDANCE AT THE NEXT UTILITY COORDINATION MEETING WHEN THE UTILITY OWNERS FACILITIES MAY BE AFFECTED.
- PROPOSED GAS LINE AND TEMPORARY GAS LINES SHOWN ON PLAN AND ARE APPROXIMATE. AS BUILT LOCATIONS WILL BE PROVIDED TO THE CONTRACTOR PRIOR TO THE START OF CONSTRUCTION.
- UTILITY LINES AS SHOWN IN THESE PLANS ARE PLOTTED FROM THE BEST AVAILABLE INFORMATION. THE CONTRACTOR SHALL CALL THE UTILITY NOTIFICATION CENTER OF COLORADO (UNCC) AT 811 AT LEAST 3 WORKING DAYS PRIOR TO ANY EXCAVATION. THE CONTRACTOR SHALL BE RESPONSIBLE FOR THE COORDINATION OF THE UTILITY RELOCATIONS.

File Path: c:\projectwise\pwr_working\0213883\17772UTIL_GenNotes.dgn

Print Date: 10/31/2013		Sheet Revisions			Colorado Department of Transportation 2424 North Townsend Avenue Montrose, CO 81401 Phone: 972-249-5285 FAX: 970-249-6018 Region 3	As Constructed No Revisions: Revised: Void:	SH92		Project No./Code STA 092A-024 17772 Sheet Number 30
File Name: 17772UTIL_GenNotes.dgn		Date:	Comments	Init.			UTILITY CONTACT LIST & UTILITY GENERAL NOTES		
Horiz. Scale: 1:1 Vert. Scale:							Designer: C. NGUYEN	Structure Numbers	
Unit Information Unit Leader Initials							Detailer: K. ROTH	Subset Sheets: 01 of 01	



BEGIN PROJECT STA092A-024
STA 368+50.00



File Path: c:\projectwise\pwz_working\0213883\17772UTIL_Plan01.dgn

Print Date: 10/31/2013	0000
File Name: 17772UTIL_Plan01.dgn	
Horiz. Scale: 1:100 Vert. Scale:	
Unit Information Unit Leader Initials	
URS	

Sheet Revisions		
Date:	Comments	Init.

Colorado Department of Transportation



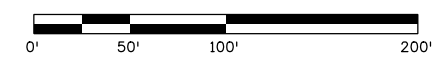
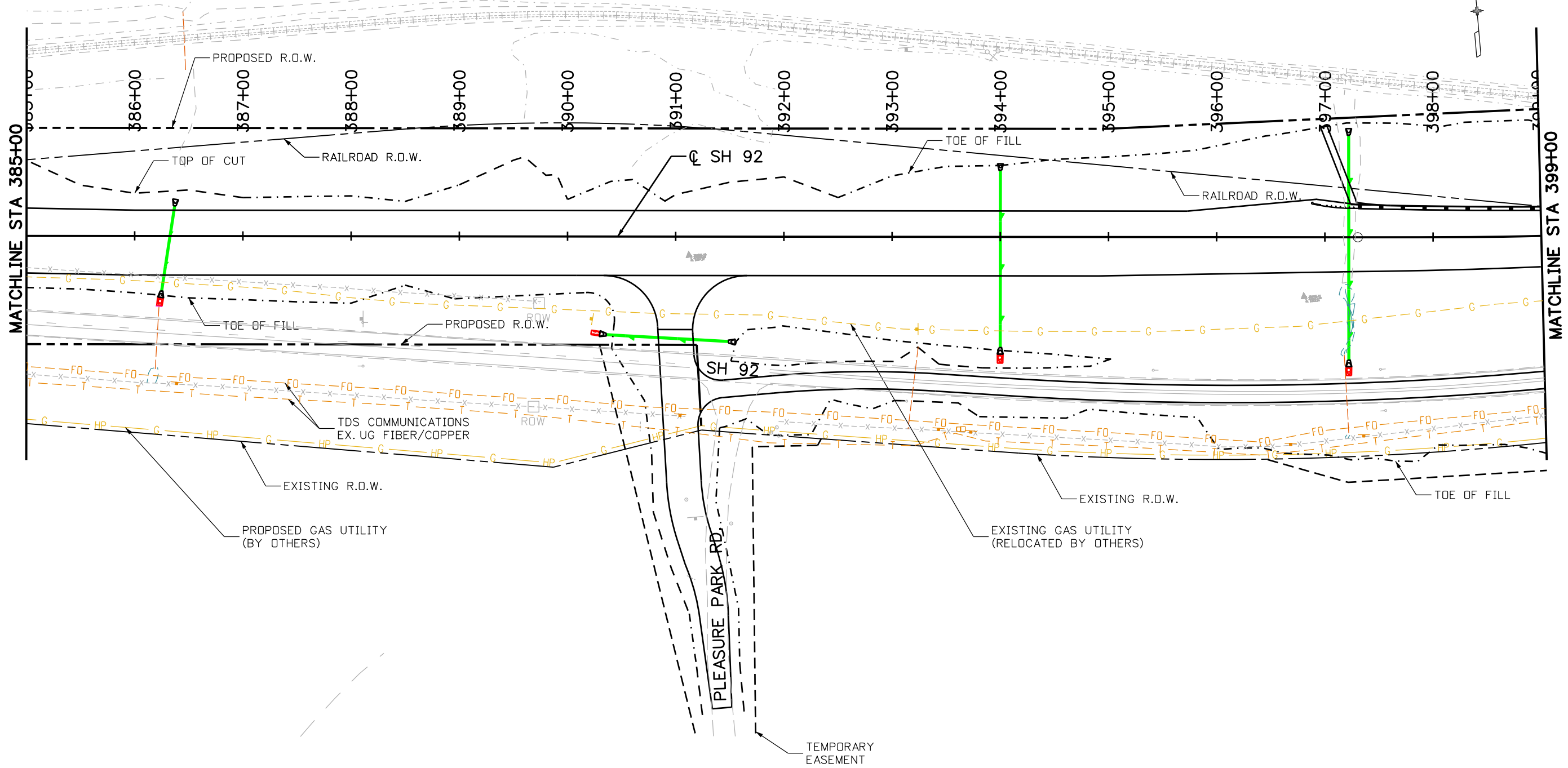
2424 North Townsend Avenue
Montrose, CO 81401
Phone: 972-249-5285 FAX: 970-249-6018

Region 3 RA

As Constructed
No Revisions:
Revised:
Void:

SH92 UTILITY PLAN	
Designer: C. NGUYEN	Structure Numbers
Detailer: P. RONDINONE	Subset Sheets: 01 of 05
Sheet Subset: SH92 UTIL	

Project No./Code
STA 092A-024
17772
Sheet Number 31



File Path: c:\projectwise\pwz_working\0213883\17772UTIL_Plan02.dgn

Print Date: 10/31/2013	
File Name: 17772UTIL_Plan02.dgn	
Horiz. Scale: 1:100	Vert. Scale:
Unit Information	Unit Leader Initials
URS	

Sheet Revisions		
Date:	Comments	Init.

Colorado Department of Transportation

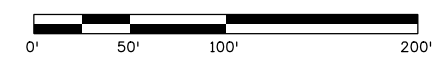
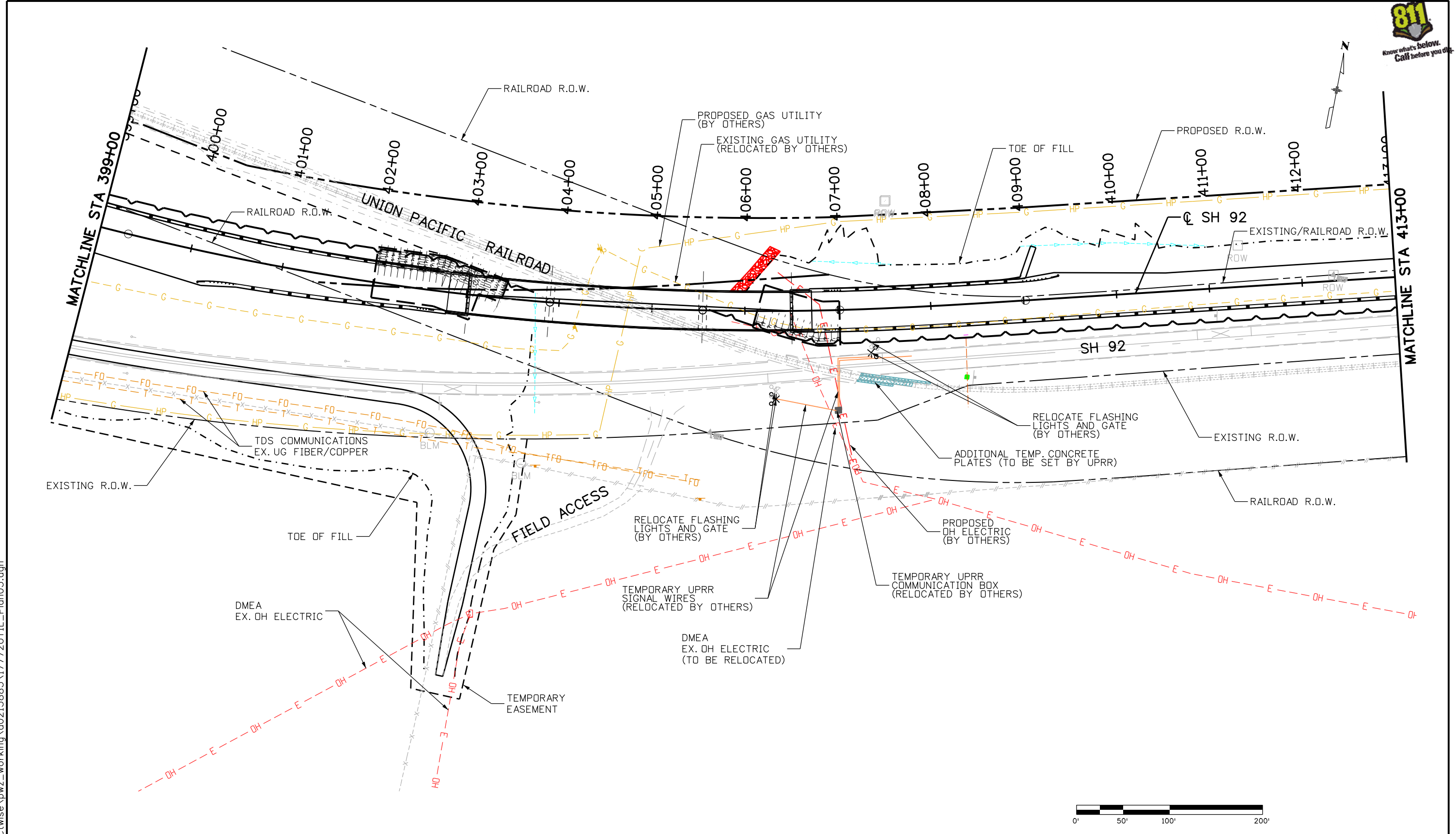
2424 North Townsend Avenue
Montrose, CO 81401
Phone: 972-249-5285 FAX: 970-249-6018

Region 3 RA

As Constructed
No Revisions:
Revised:
Void:

SH92 UTILITY PLANS	
Designer: C. NGUYEN	Structure Numbers
Detailer: P. RONDINONE	
Sheet Subset: SH92 UTIL	Subset Sheets: 02 of 05

Project No./Code
STA 092A-024
17772
Sheet Number 32



File Path: c:\projects\wise\pwz_working\0213883\17772UTIL_Plan03.dgn

Print Date: 10/31/2013	
File Name: 17772UTIL_Plan03.dgn	
Horiz. Scale: 1:100	Vert. Scale:
Unit Information	Unit Leader Initials
URS	

Sheet Revisions		
Date:	Comments	Init.

Colorado Department of Transportation

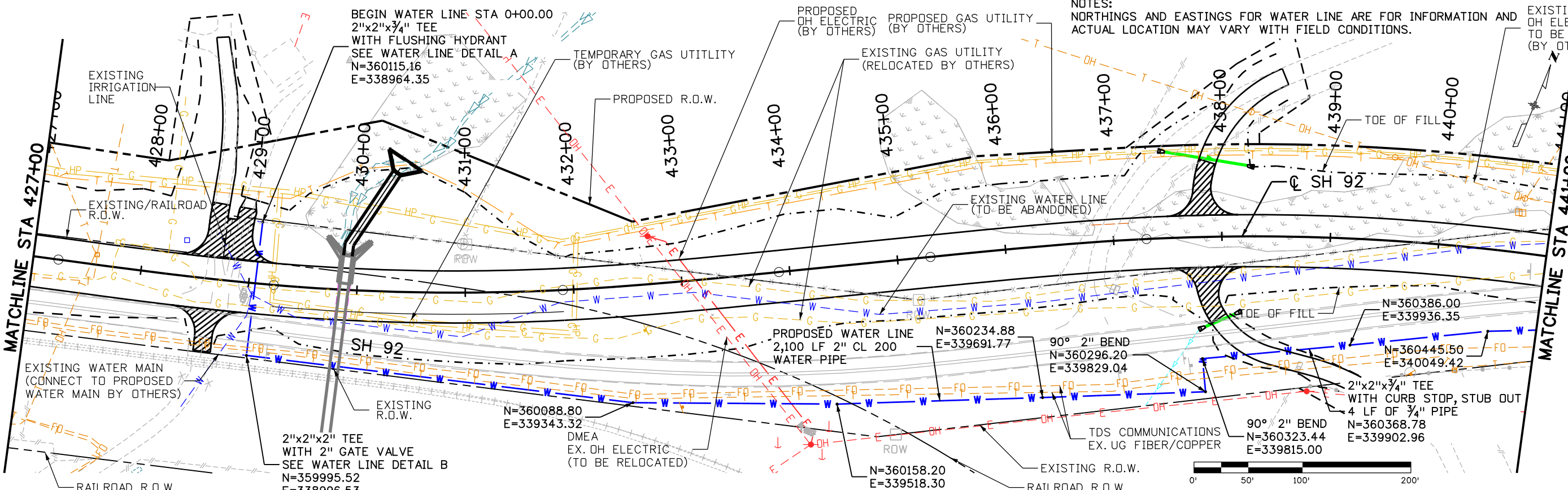
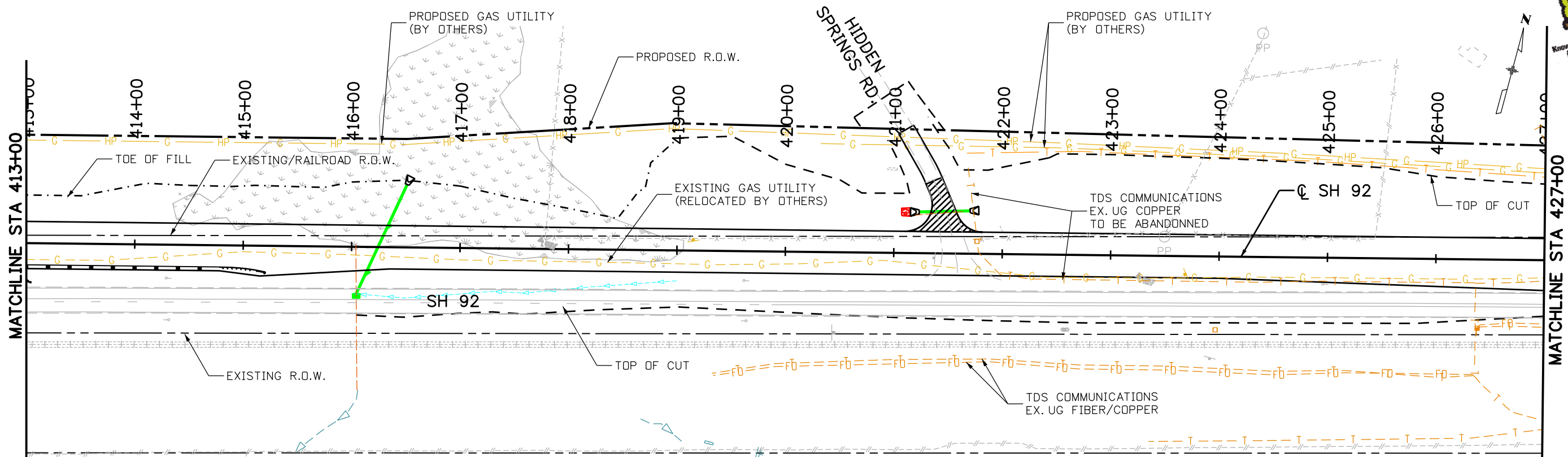
2424 North Townsend Avenue
Montrose, CO 81401
Phone: 972-249-5285 FAX: 970-249-6018

Region 3 **RA**

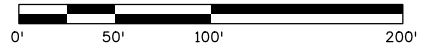
As Constructed
No Revisions:
Revised:
Void:

SH92 UTILITY PLANS	
Designer: C. NGUYEN	Structure Numbers
Detailer: P. RONDINONE	Subset Sheets: 03 of 05
Sheet Subset: SH92 UTIL	

Project No./Code
STA 092A-024
17772
Sheet Number 33



NOTES:
NORTHINGS AND EASTINGS FOR WATER LINE ARE FOR INFORMATION AND ACTUAL LOCATION MAY VARY WITH FIELD CONDITIONS.




File Path: c:\projects\pwz_working\0213883\17772UTIL_Plan04.dgn

Print Date: 10/31/2013	0000
File Name: 17772UTIL_Plan04.dgn	
Horiz. Scale: 1:100 Vert. Scale:	
Unit Information Unit Leader Initials	
URS	

Sheet Revisions		
Date:	Comments	Init.

Colorado Department of Transportation



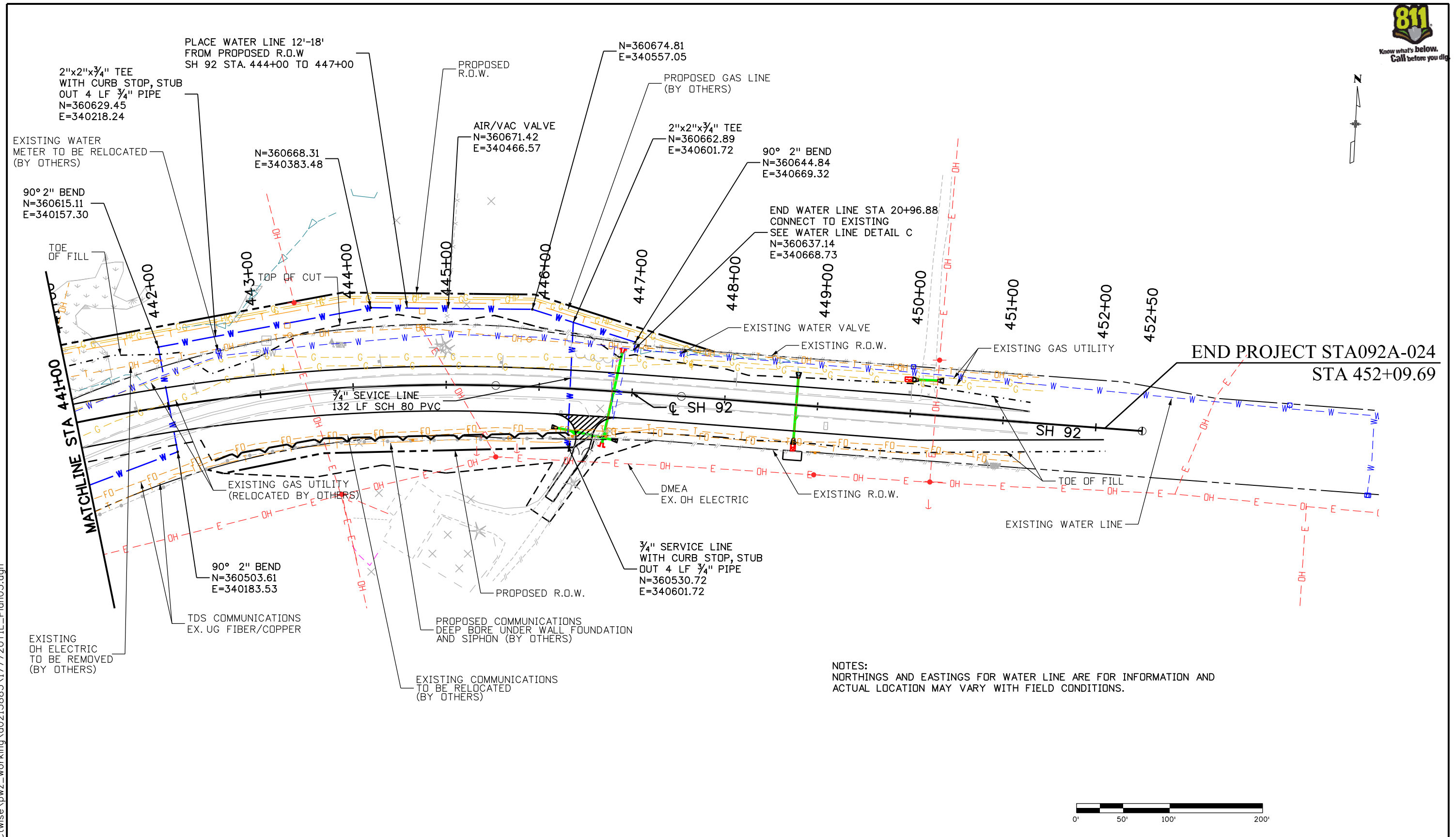
2424 North Townsend Avenue
Montrose, CO 81401
Phone: 972-249-5285 FAX: 970-249-6018

Region 3 RA

As Constructed
No Revisions:
Revised:
Void:

SH92 UTILITY PLANS		
Designer: C. NGUYEN	Structure Numbers	
Detailer: P. RONDINONE	Subset Sheets: 04 of 05	


Project No./Code
STA 092A-024
17772
Sheet Number 34

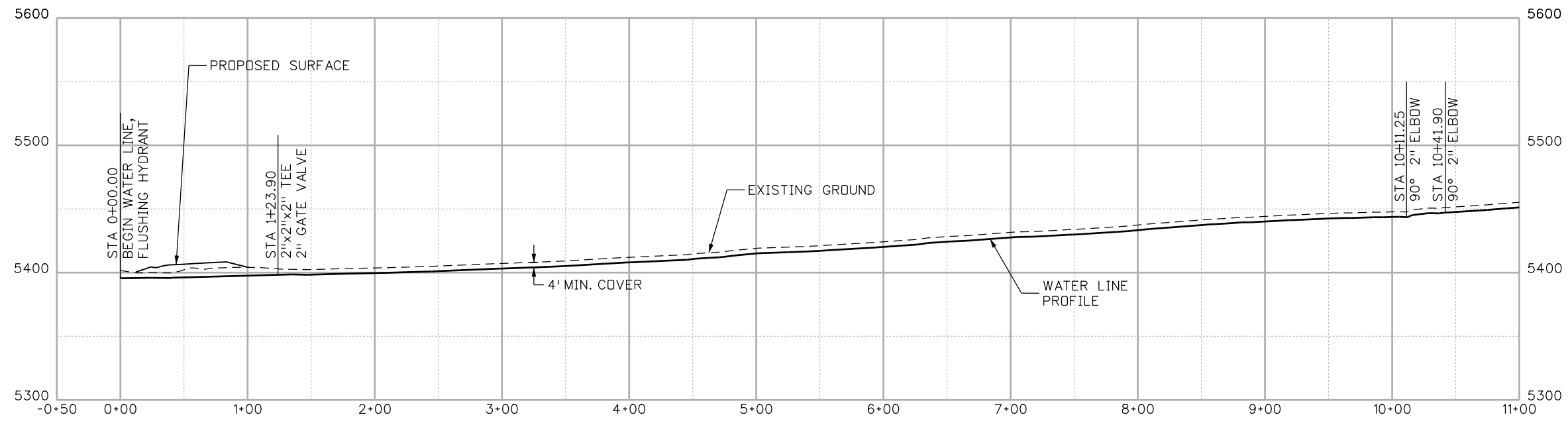


NOTES:
NORTHINGS AND EASTINGS FOR WATER LINE ARE FOR INFORMATION AND ACTUAL LOCATION MAY VARY WITH FIELD CONDITIONS.

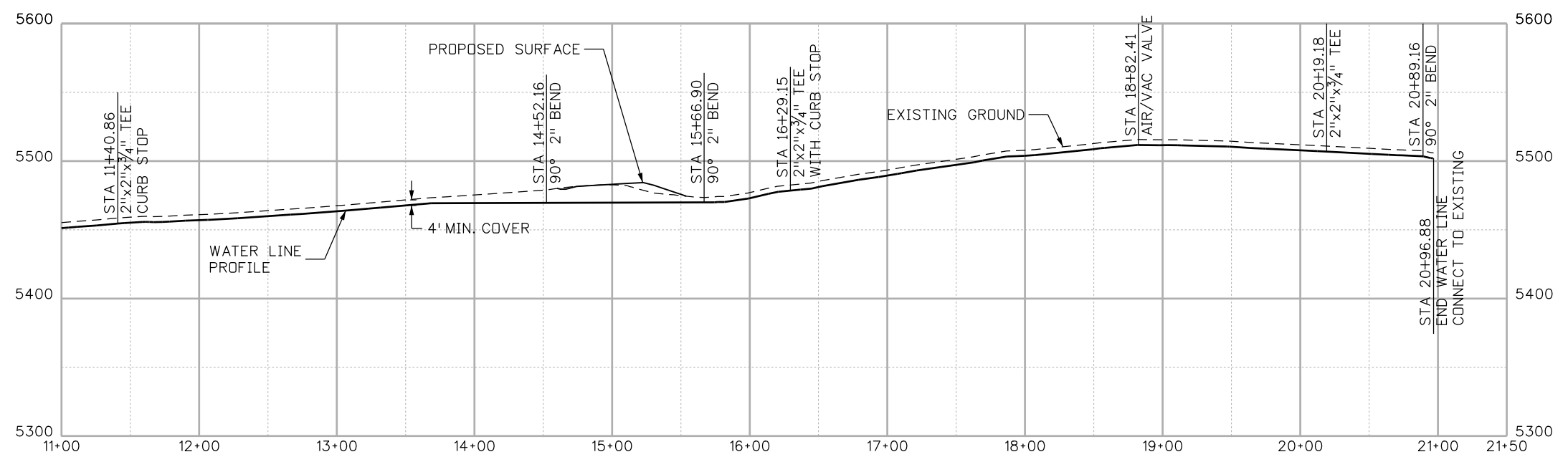


File Path: c:\projects\wise\pwz_working\0213883\17772UTIL_Plan05.dgn

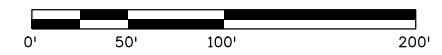
Print Date: 10/31/2013		Sheet Revisions		Colorado Department of Transportation		As Constructed		SH92 UTILITY PLANS		Project No./Code	
File Name: 17772UTIL_Plan05.dgn		Date:	Comments	Init.	 2424 North Townsend Avenue Montrose, CO 81401 Phone: 972-249-5285 FAX: 970-249-6018 Region 3	No Revisions:				STA 092A-024	
Horiz. Scale: 1:100		Vert. Scale:				Revised:		Designer: C. NGUYEN		Structure Numbers	
Unit Information		Unit Leader Initials				Void:		Detailer: P. RONDINONE		17772	
URS					RA		Sheet Subset: SH92 UTIL		Subset Sheets: 05 of 05		Sheet Number 35



WATERLINE PROFILE



WATERLINE PROFILE



Print Date: 10/31/2013
File Name: 17772UTIL_Profile-Water.dgn
Horiz. Scale: 1:100 Vert. Scale: As Noted
Unit Information Unit Leader Initials

Sheet Revisions		
Date:	Comments	Init.

Colorado Department of Transportation

2424 North Townsend Avenue
Montrose, CO 81401
Phone: 970-683-6420 FAX: 970-249-6018

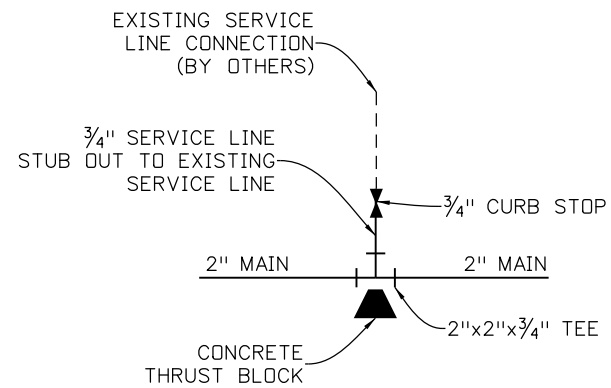
Region 3 **RBA**

As Constructed
No Revisions:
Revised:
Void:

WATER LINE PROFILE			
Designer:	JEF	Structure	
Detailer:	JEF	Numbers	
Sheet Subset:	WTR	Subset Sheets:	1 of 4

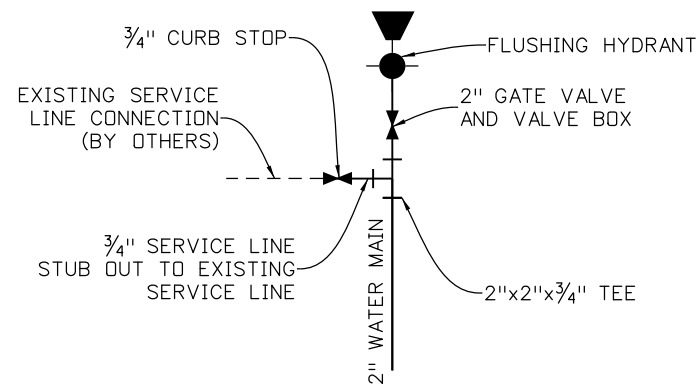
Project No./Code
STA 092A-024
17772
Sheet Number 36

fullertonj 9:43:11 AM c:\projectwise\pwz_working\0213883\17772UTIL_Profile-Water.dgn



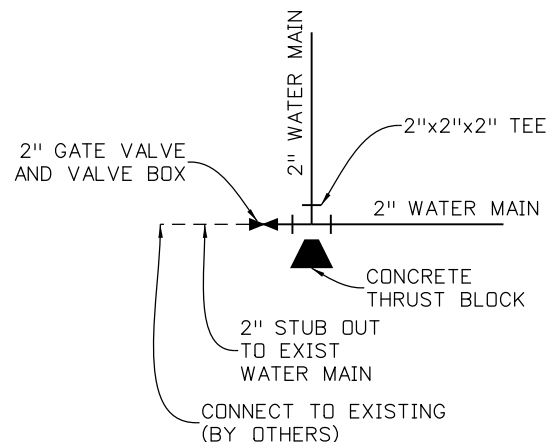
TYPICAL SERVICE LINE STUB OUT

STA. 11+40.86
STA. 16+29.15
STA. 20+19.18



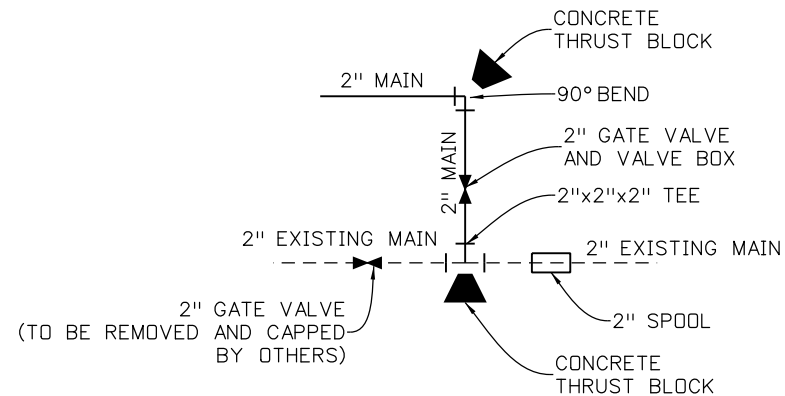
WATER LINE DETAIL A

STA. 0+00.00



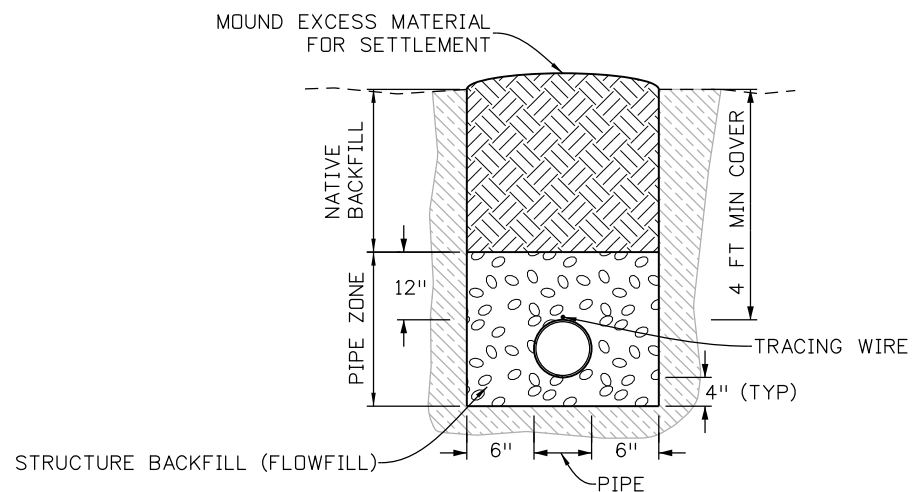
WATER LINE DETAIL B

STA. 1+23.90

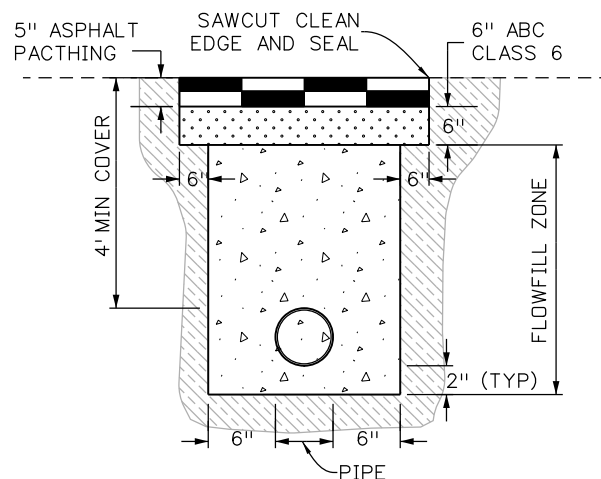


WATER LINE DETAIL C

STA. 20+96.88



TYPICAL TRENCH DETAIL



HIGHWAY CROSSING TRENCH DETAIL

WATER LINE PAY ITEMS

PAY ITEM	QUANTITY
619-00010 WATER LINE (SPECIAL)	1

WATER LINE QUANTITIES (FOR INFORMATION ONLY)

DESCRIPTION	QUANTITY
2" CL 200 WATER PIPE	2,100 LF
3/4" SCH 40 PVC PIPE	150 LF
2"x2"x2" TEE	2 EA
2"x2"x3/4" TEE	4 EA
90° 2" BEND	5 EA
90° 3/4" BEND	1 EA
3/4" CURB STOP	3 EA
2" SPOOL	1 EA
2" GATE VALVE	4 EA
AIR/VACUUM VALVE ASSEMBLY	1 EA
FLUSHING HYDRANT	1 EA
VALVE BOX	3 EA

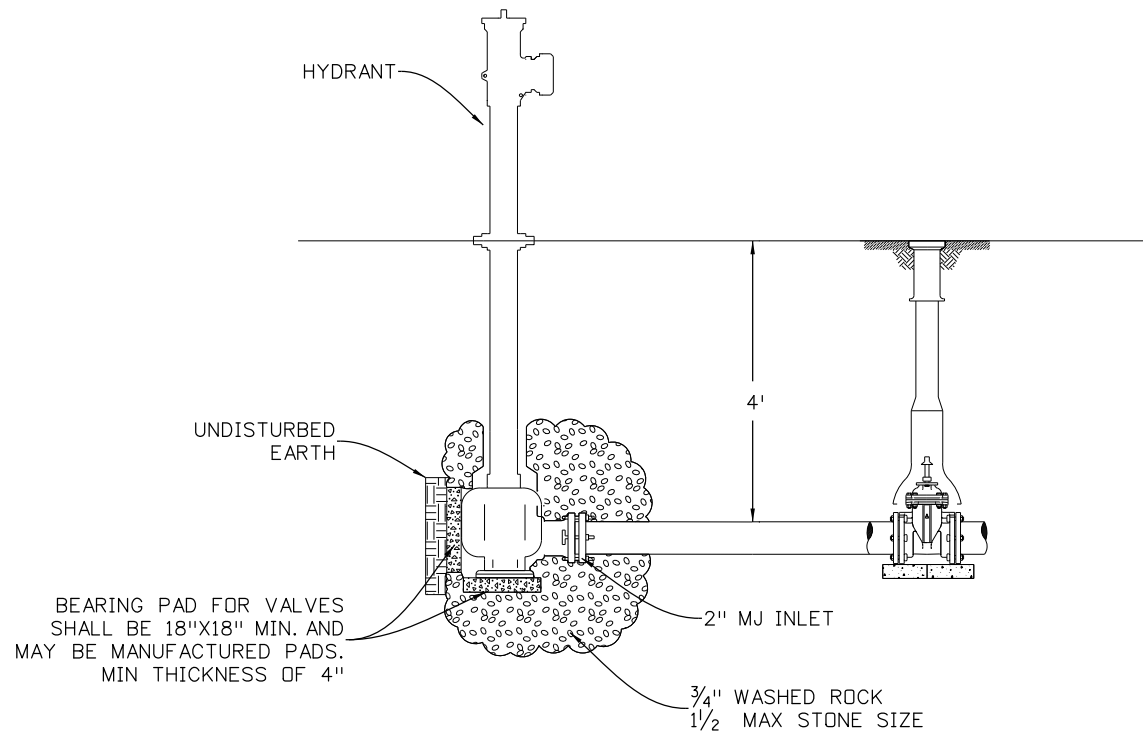
NOTES:

1. ALL MATERIALS INCLUDING BUT NOT LIMITED TO PIPE, TRENCH MATERIALS, EXCAVATION, VALVES, CONNECTORS, BENDS, PIPES AND THRUST BLOCKS SHALL BE INCLUDED IN THE PAY ITEM 619-00010 WATER LINE (SPECIAL). FOR INFORMATION ONLY QUANTITIES ARE ESTIMATED AND FIELD ADJUSTMENTS MAY BE NECESSARY.
2. SEE PROJECT SPECIAL PROVISIONS FOR MATERIAL DESCRIPTIONS AND TESTING.
3. SERVICE LINE SHALL BE SCH 80 PVC PIPE.
4. CONTRACTOR IS RESPONSIBLE FOR PROVIDING CURB STOP AND 3/4" SERVICE LINE STUB OUT. ROGERS MESA WATER DISTRICT SHALL MAKE CONNECTION FROM STUB OUT TO EXISTING SERVICE LINE OR METER.
5. CONTRACTOR SHALL COORDINATE SERVICE LINE AND MAIN LINE CONNECTIONS WITH ROGERS MESA WATER DISTRICT. SEE PROJECT SPECIAL PROVISIONS.



**Know what's below.
Call before you dig.**

Print Date: 10/31/2013		Colorado Department of Transportation		As Constructed	WATER LINE DETAILS		Project No./Code	
File Name: 17772UTIL-Detail-Waterline.dgn		2424 North Townsend Avenue Montrose, CO 81401 Phone: 970-683-6420 FAX: 970-249-6018		No Revisions:			STA 092A-024	
Horiz. Scale: 1:20 Vert. Scale: As Noted		Region 3 RBA		Revised:	Designer: JEF	Structure Numbers	K-05-A	
Unit Information Unit Leader Initials				Void:	Detailer: JEF	Sheet Subset: WTR	Subset Sheets: 2 of 4	
								17772
								Sheet Number 37



HYDRANT SHALL BE MIN. 4 FT BURY, WITH 2" HORIZONTAL FIP/2" VERTICAL 2" MJ INLET AND 2" NST NOZZLE OUTLET.

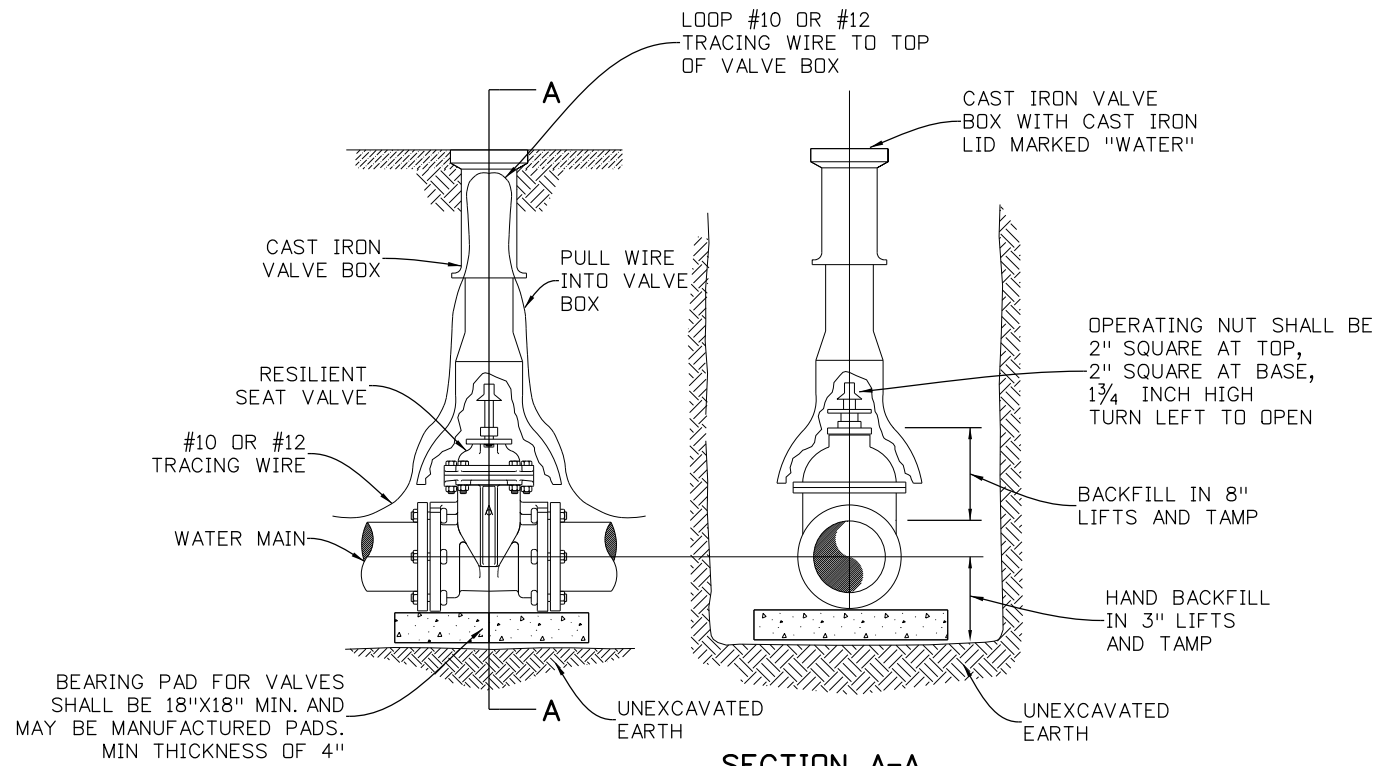
HYDRANT SHALL BE NON-FREEZING AND SELF DRAINING. HYDRANT SHALL BE OPERATED BY TURNING A TOP-MOUNTED 9/16" SQUARE OPERATING NUT COUNTERCLOCKWISE TO OPEN, CLOCKWISE TO CLOSE. HYDRANT MUST SEAL THE DRAIN OUTLET IN ALL POSITIONS FROM 1/4 OPEN TO FULLY OPEN. ALL INTERNAL WORKING PARTS, THE INLET, AND THE OUTLET SHOULD BE BRASS. ALL WORKING PARTS SHALL BE SERVICEABLE FROM ABOVE GROUND WITH NO DIGGING REQUIRED. ALL WEAR PARTS (O-RINGS AND VALVE SEAT) SHALL BE OF COMMONLY AVAILABLE DIMENSIONS AND MATERIALS, NONE MAY BE OF VENDER-UNIQUE DESIGN.

HYDRANTS SHALL BE SET IN 4 CUBIC FEET OF WASHED ROCK TO ALLOW FOR PROPER DRAINAGE OF THE HYDRANT. RECOMMENDATIONS OF THE AWWA SHALL BE FOLLOWED WHEN INSTALLING THE HYDRANT.

HYDRANT SHALL BE MODEL TF200 AS MANUFACTURED BY THE JOHN C. KUPFERLE FOUNDRY COMPANY OR APPROVED ALTERNATIVE.

FLUSHING HYDRANT DETAIL

STA. 0+00.00



SECTION A-A

ALL VALVES TO BE RESILIENT SEAT, EPOXY COATED INSIDE AND OUT PER AWWA SPECS.

ALL VALVE BOXES TO BE OF CAST IRON CONSTRUCTION, TWO PIECE SLIDE CASING ADJUSTABLE DESIGN.

ALL VALVES TO BE 8 MIL POLY WRAPPED.

ALL PACKING BOLTS AND VALVE BONNET BOLTS SHALL BE STAINLESS STEEL. ALL BOLTS FOR MECHANICAL JOINTS SHALL BE COR-BLUE OR APPROVED EQUAL. ALL BOLTS FOR FLANGE CONNECTIONS SHALL BE STAINLESS STEEL BOLTS COATED WITH ANTI-SEIZE.

VALVE BOX ASSEMBLY DETAIL

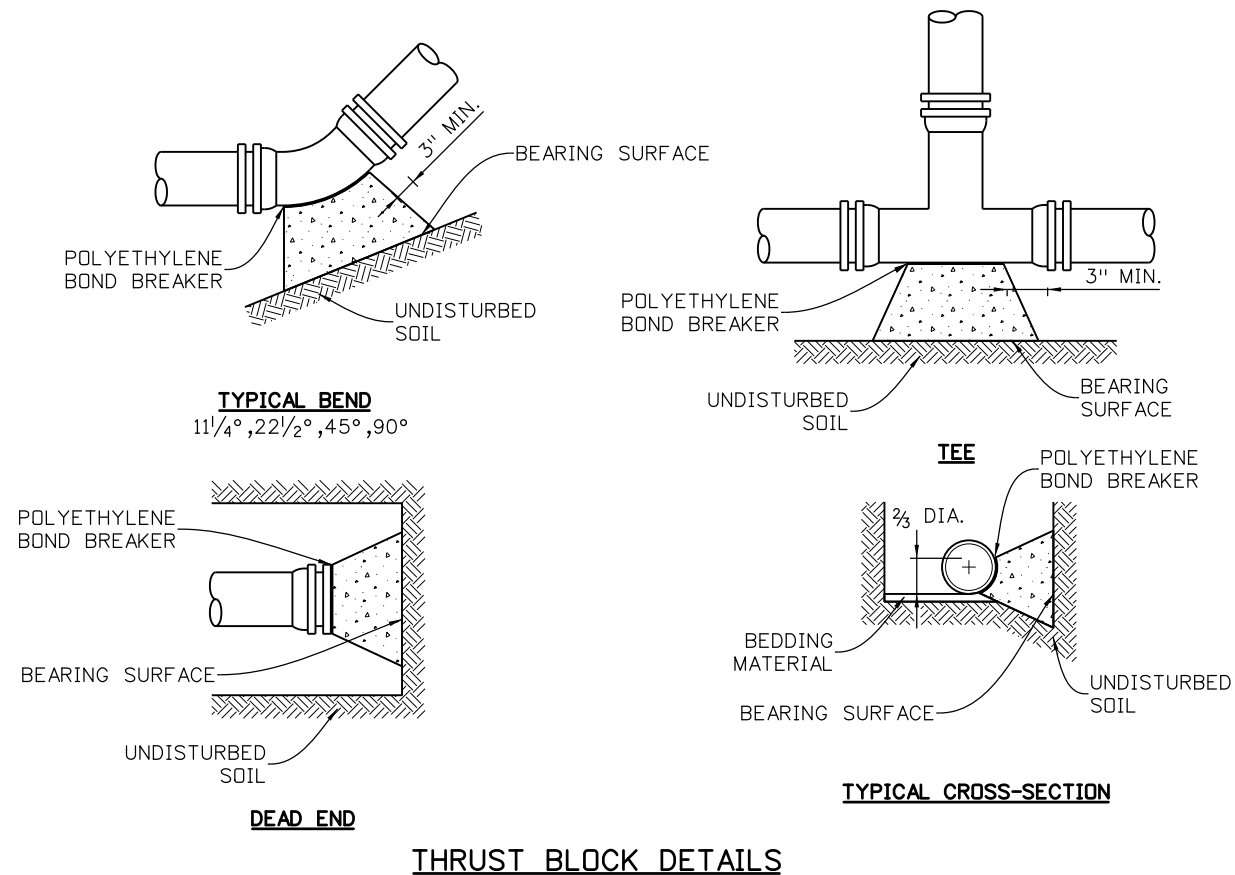
STA. 0+00.00
STA. 20+96.88



Know what's below.
Call before you dig.

Print Date: 10/31/2013		Sheet Revisions			Colorado Department of Transportation 2424 North Townsend Avenue Montrose, CO 81401 Phone: 970-683-6420 FAX: 970-249-6018 Region 3	As Constructed	WATER LINE DETAILS			Project No./Code
File Name: 17772UTIL-Detail-Waterline.dgn		Date:	Comments	Init.		No Revisions:				STA 092A-024
Horiz. Scale: 1:20 Vert. Scale: As Noted						Revised:	Designer: RA	Structure Numbers		17772
Unit Information Unit Leader Initials				Void:	Detailer: JEF	Sheet Subset: WTR	Subset Sheets: 3 of 4	Sheet Number	38	

fullertonj 9:41:48 AM c:\projectwise\pwz_working\0213863\17772UTIL-Detail-Waterline.dgn



BEARING AREAS (IN SQ. FT.)					
SIZE	BENDS				TEES, DEAD ENDS, AND CROSS w DEAD END BRANCHES
	90°	45°	22 1/2°	11 1/2°	
2	1.0	0.6	0.3	0	0.7

NOTE: TEE SIZE IS BRANCH SIZE.

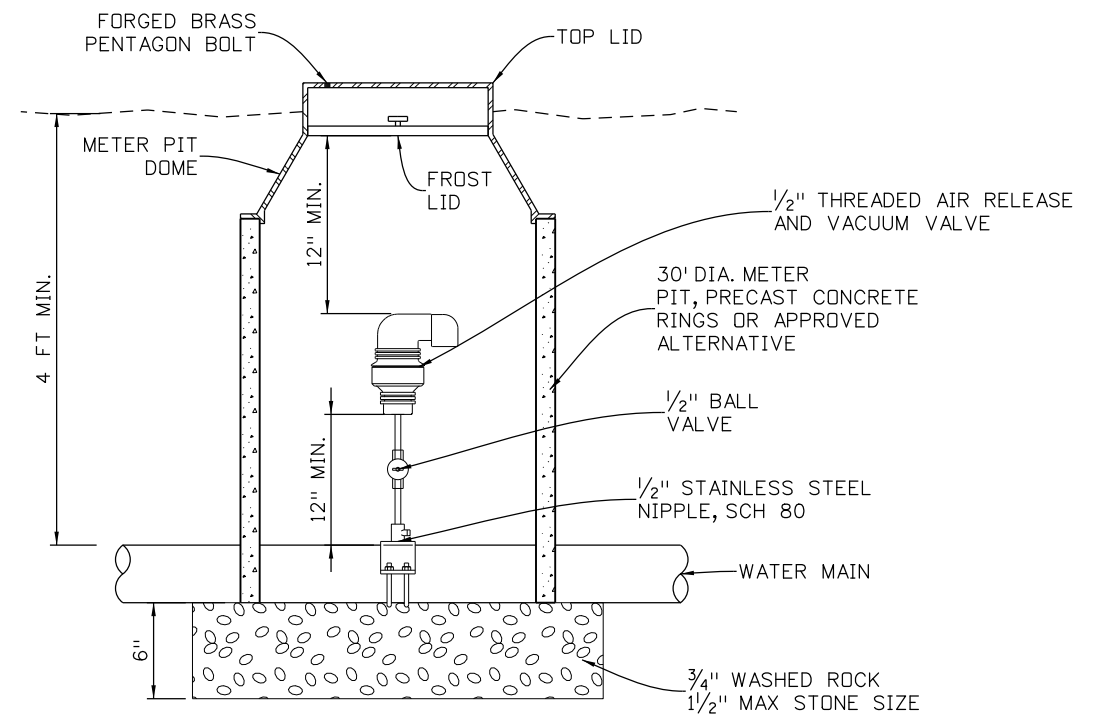
AREAS GIVEN IN TABLE ARE BASED UPON INTERNAL STATIC PRESSURE OF 100 P.S.I. AND SOIL BEARING CAPACITY OF 1,000 lbs. PER SQ. FT.

BEARING AREAS FOR ANY PRESSURE AND SOIL BEARING CAPACITY MAY BE OBTAINED BY MULTIPLYING TABULATED VALUES BY A CORRECTION FACTOR "F"

$$F = \frac{\text{ACTUAL SPECIFIED TEST PRESSURE IN HUNDREDS OF lbs.}}{\text{ACTUAL SOIL BEARING CAPACITY IN THOUSANDS OF lbs.}}$$

SOIL BEARING CAPACITY = 1,000 LBS/SQ. FT.
TEST PRESSURE = 200 P.S.I.
BEARING AREA MULTIPLIER (F) = 2

ALL THRUST BLOCKS SHALL BE 3000 PSI CONCRETE.



NOTES:

- AIR/VAC VALVE SHALL BE A.R.I D-040 COMBINATION VALVE OR APPROVED ALTERNATIVE.



Know what's below.
Call before you dig.

Print Date: 10/31/2013		Sheet Revisions			Colorado Department of Transportation 2424 North Townsend Avenue Montrose, CO 81401 Phone: 970-683-6420 FAX: 970-249-6018 Region 3	As Constructed	WATER LINE DETAILS				Project No./Code
File Name: 17772UTIL-Detail-Waterline.dgn		Date:	Comments	Init.		No Revisions:					STA 092A-024
Horiz. Scale: 1:20 Vert. Scale: As Noted						Revised:	Designer: JEF	Structure Numbers	K-05-A		17772
Unit Information Unit Leader Initials						Void:	Detailer: JEF	Sheet Subset: WTR	Subset Sheets:	4 of 4	Sheet Number 39